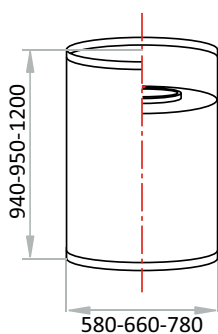
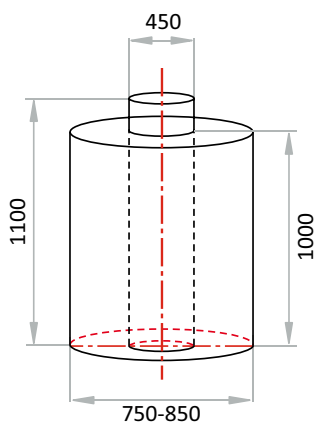


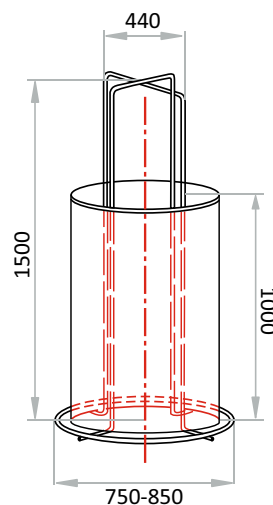
FILI RAMATI COPPER WIRES | VERKUPFERTER DRAHT



TS - TI - TR



HN



GF

Descrizione Description Beschreibung	Cod.	diametro diameter Durchmesser	altezza height Höhe	peso netto net weight Nettogewicht
Fusto Drum Fässer	TS	580 mm	940 mm	380 Kg
Fusto Drum Fässer	TI	660 mm	950 mm	550 Kg
Fusto Drum Fässer	TR	760 mm	1200 mm	1000 Kg
Matassa Coil Spule	HN	750 + 850 mm	1000 mm	1000 Kg
Bicocca Stem-frame Kronenstock	GF	750 + 850 mm	1500 mm	1000 Kg